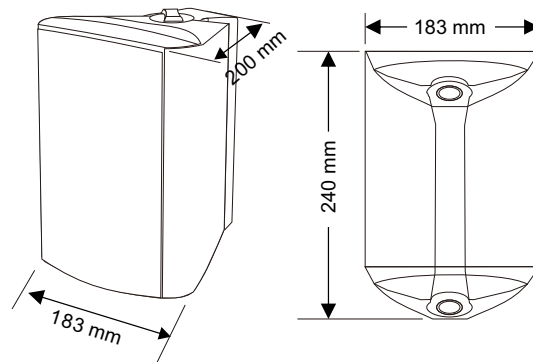




# Active Wall Mount Speaker

## T-775RS



<b>Model</b>	T-775RS (Black)
<b>Output Power</b>	20W×2@8Ω
<b>Input Sensitivity</b>	0.350V
<b>Frequency Response</b>	80Hz-16KHz/1W, ±3dB
<b>THD</b>	1KHz/1W, 0.1%
<b>S.N. Ratio</b>	85dB
<b>Conversion Rate</b>	30V/US
<b>Channel Degree of Separation</b>	>65dB
<b>Amplifier</b>	D class
<b>Indication</b>	Power and channel signal
<b>Protection</b>	High temp, overload, short circuit and clip
<b>Treble Control</b>	±10dB
<b>Bass Control</b>	±10dB
<b>Input Connector</b>	Balanced phoenix connecto and stereo 3.5mm earphone input
<b>RS232</b>	Yes
<b>VCA</b>	Yes
<b>Remote control</b>	Infrared remote control
<b>AC Power Supply</b>	~110V-240V 50/60Hz
<b>Dimensions</b>	183×200 ×240mm
<b>Weight</b>	4.8Kg (per pair)