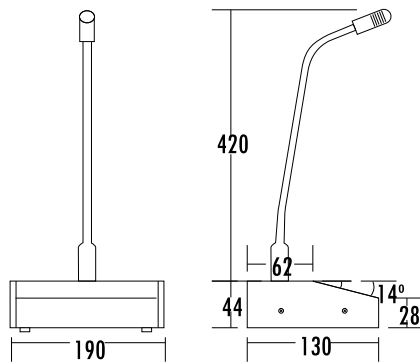




Microphone

T-521A (Built-in chime)



Model	T-521A
Capsule Type	Condenser
Polar Pattern	Cardioid
Frequency Response	40Hz-16000Hz
Mic Sensitivity	-43±2dB
Prelude Sensitivity	-50dB±2dB
Power Supply	DC9V/AC12V
Distance	10m