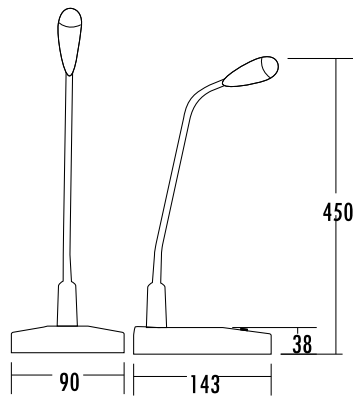




Microphone

T-511C



Model	T-511C
Element	Φ9.7 Style Of Capacitance
Polar Pattern	Heart-shape
Sensitivity	-47dB±3dB
Frequency	60Hz~15000Hz
Output Impedance	≤200Ω
Operating Voltage	11~52V